

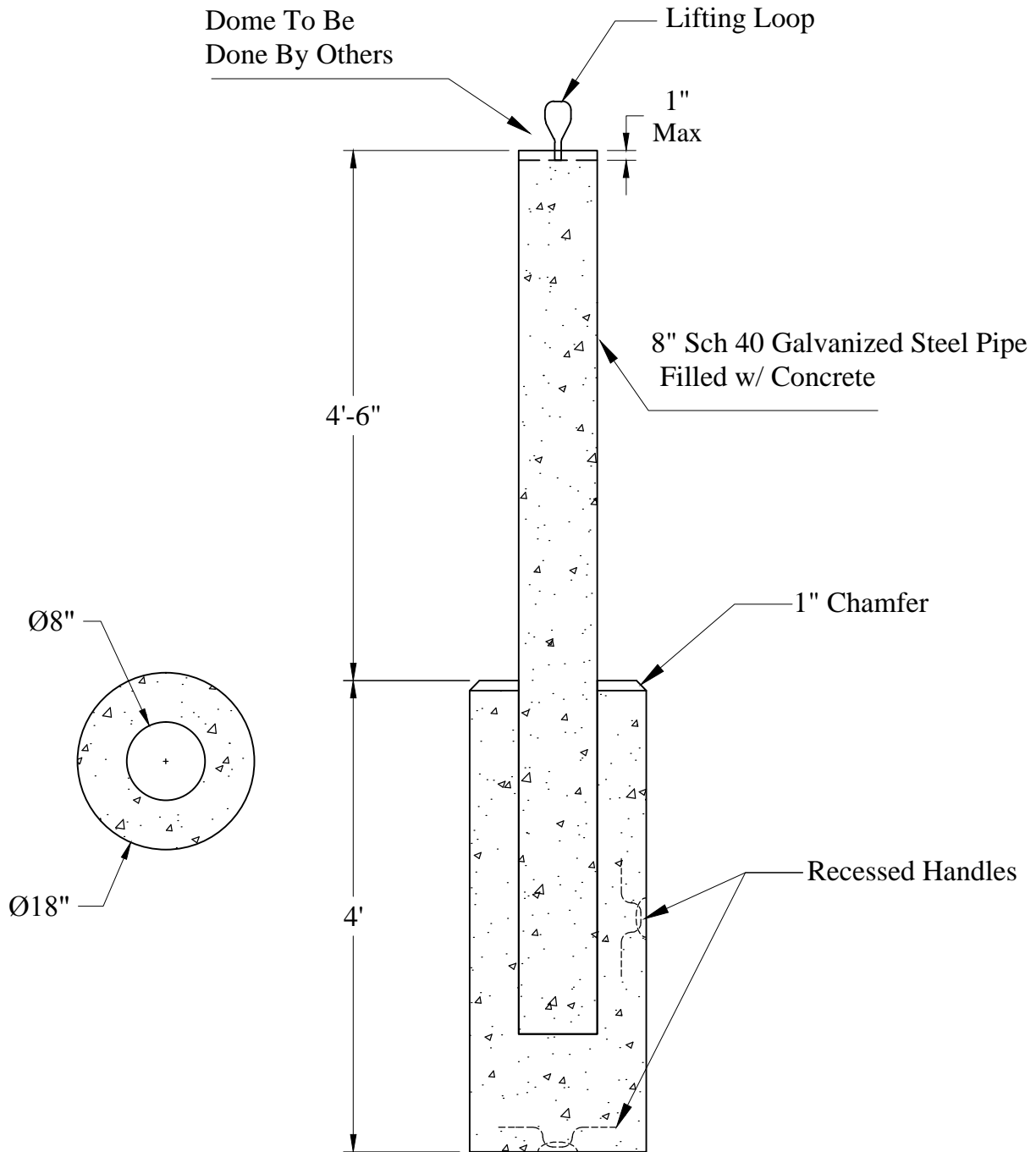
1-800-639-2199

Fax (603) 224-2927

Bollards\8in_Bollard_Galv_w_Base

Phoenix Precast Products

Phoenix Precast Products



General Notes

- 1.) Concrete: $f_c = 4,000$ PSI @ 28 Days Minimum
- 2.) Est Weight: 1,420 Lbs

Phoenix
Precast
Products

8" Dia. Galvanized
Bollard With Base

P/N: SB-8GALV